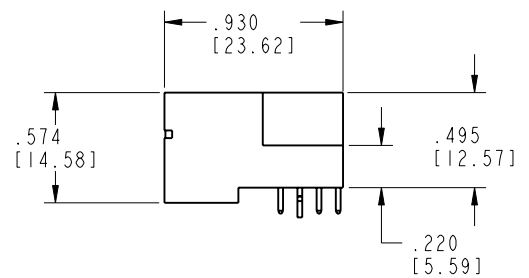
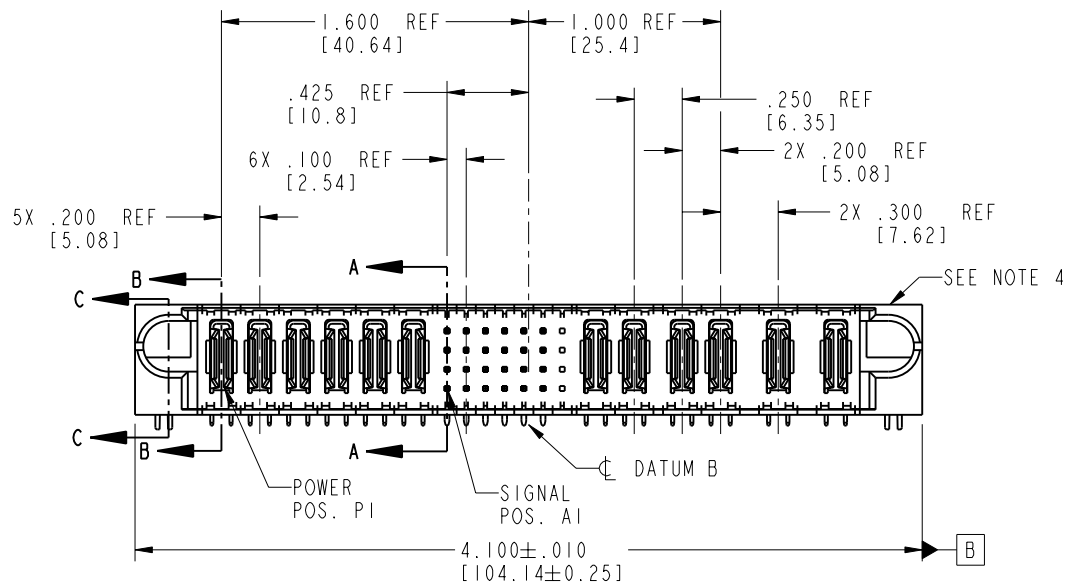
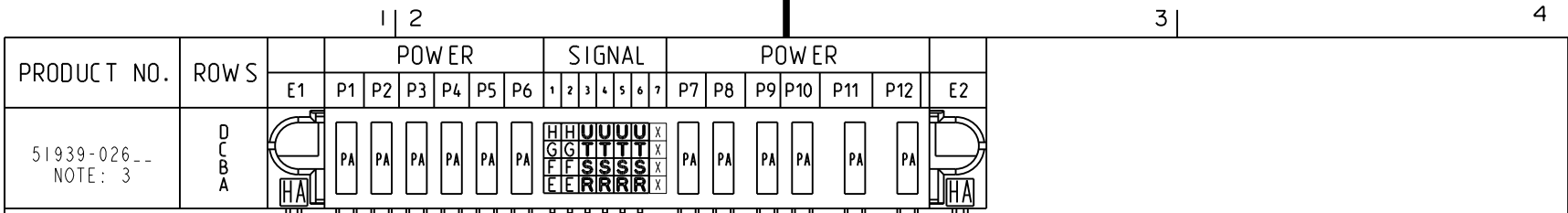


Tous droits strictement réservés. Reproduction ou communication o des liens interdite sous quelque forme que ce soit sans autorisation écrite du propriétaire. Propriété de c FCI. Droits de reproduction FCI.

All rights strictly reserved. Reproduction or issue to third parties in any form whenever is not permitted without written authority from the proprietor. Property of FCI. Copyright FCI.



CODE	DIM "M" MATING LENGTH	CONTACT TYPE
E	.220 [5.59]	SIGNAL
F	.220 [5.59]	SIGNAL
G	.220 [5.59]	SIGNAL
H	.220 [5.59]	SIGNAL
R	.270 [6.86]	SIGNAL
S	.270 [6.86]	SIGNAL
T	.270 [6.86]	SIGNAL
U	.270 [6.86]	SIGNAL
PA	N/A [N/A]	POWER
HA	N/A [N/A]	HOLD-DOWN
X	OMITTED	OMITTED

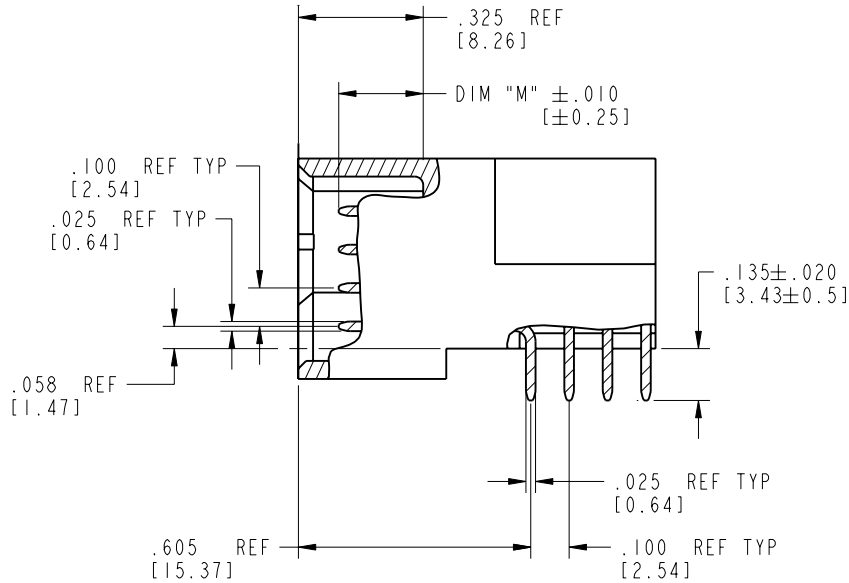
mat'l code SEE NOTE 2				tolerances unless otherwise specified		CUSTOMER	 www.fciconnect.com
ltr	ecn no.	dr	date	linear	.XX±.01/0.X±0.3	COPY	
A	V21414	CGD	08/30/02		.XXX±.005/0.XX±0.13	projection	title 6P + 28S + 4P + 2ACP RIGHT ANGLE SOLDER HEADER
B	V21444	CGD	09/06/02		.XXX±.0020/0.XXX±0.051	INCH/MM	
C	V21847	CGD	12/04/02	angles	0°±2°	scale	product family PwrBlade code 213
D	DG05-0240	GuoJM	07/26/05	dr	C. DAILY 08/30/02	1:1	size dwg no 51939-026
E	DG05-0263	GuoJM	08/03/05	enrg	M. MOSTOLLER 08/30/02		sheet 1 of 4
F	DG06-0008	JMG	01/07/06	chr	M. MOSTOLLER 08/30/02		
				appd	M. MOSTOLLER 08/30/02		
sheet index	revision sheet	F 1	F 2	F 3	F 4		

**FCI**

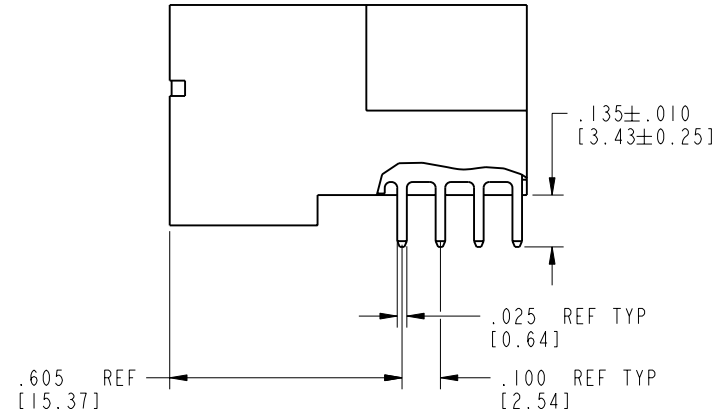
Tous droits strictement réservés. Reproduction ou communication o des liers interdite sous quelque forme que ce soit sans autorisation écrite du propriétaire. Propriété de c FCI. Droits de reproduction FCI.

All rights strictly reserved. Reproduction or issue to third parties in any form whatever is not permitted without written authority from the proprietor. Property of FCI. Copyright FCI.

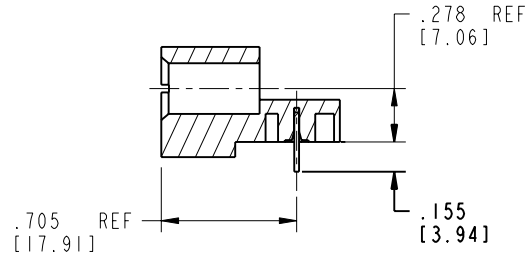
PRODUCT NUMBER  
51939-026 --  
NOTE: 3



BROKEN-OUT SECTION A-A  
SCALE 2:1



BROKEN-OUT SECTION B-B  
SCALE 2:1



SECTION C-C

mat'l code		SEE NOTE 2		tolerances unless otherwise specified		CUSTOMER		 www.fciconnect.com		
lfr	ecn no.	dr	date	linear	.XX±.01/0.X±0.3	COPY				
F				linear	.XXX±.005/0.XX±0.13	projection		 title 6P + 28S + 4P + 2ACP RIGHT ANGLE SOLDER HEADER		
				angles	.XXX±.0020/0.XXX±0.051	 INCH/MM				
				dr	C. DAILY 08/30/02	scale		product family	PwrBlade	code
				engr	M. MOSTOLLER 08/30/02	1:1		size	dwg no	213
				chr	M. MOSTOLLER 08/30/02			A	51939-026	sheet
				appd	M. MOSTOLLER 08/30/02					2 of 4
sheet index	revision sheet									

cage code 22526

Pro/E

PDM: Rev:F

STATUS: Released

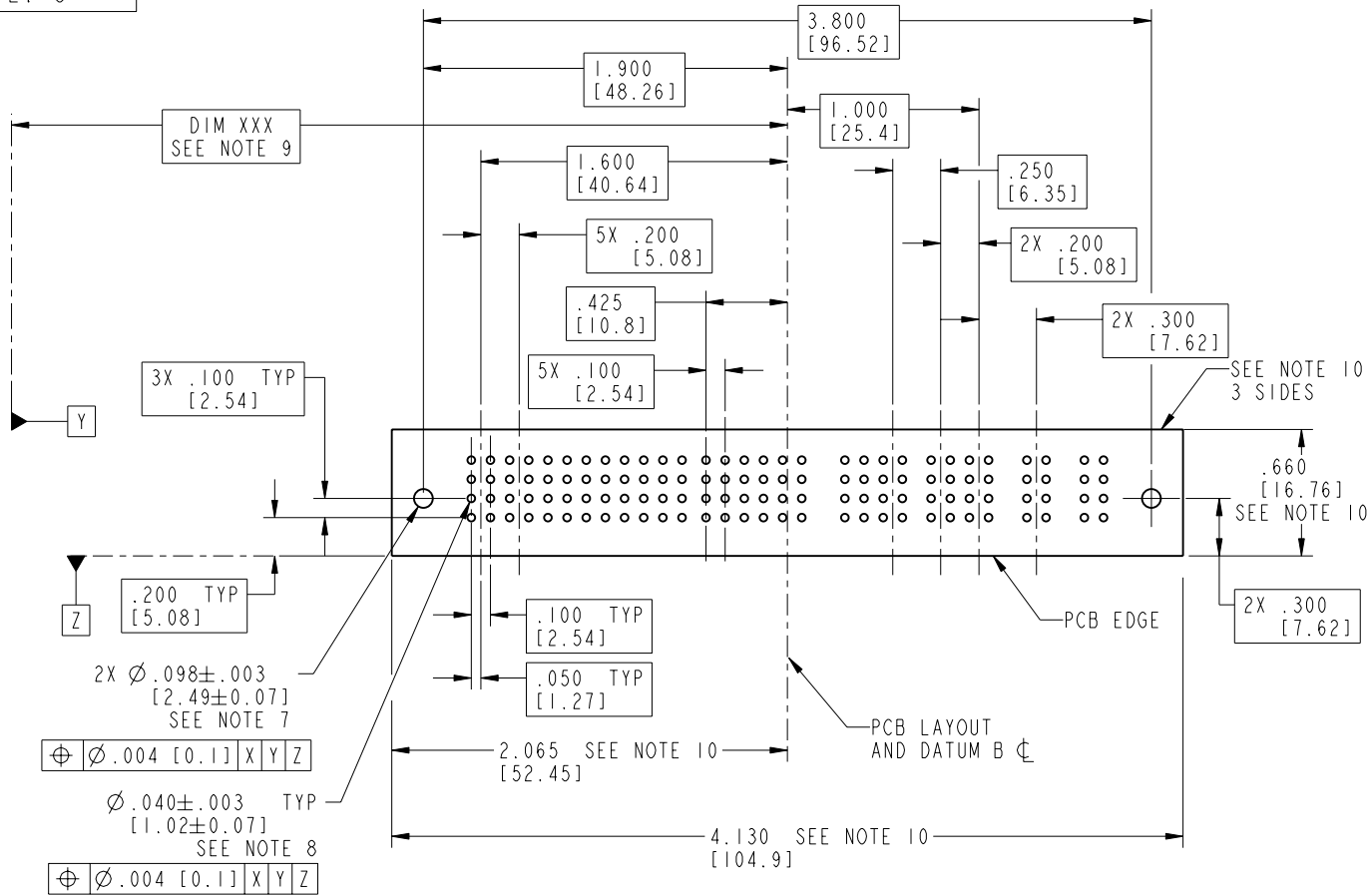
Printed: Oct 08, 2006

Tous droits strictement réservés. Reproduction ou communication o des liers interdite sous quelque forme que ce soit sans autorisation écrite du propriétaire. Propriete de c FCI. Droits de reproduction FCI.

All rights strictly reserved. Reproduction or issue to third parties in any form, whatever is not permitted without written authority from the proprietor. Property of FCI. Copyright FCI.

PRODUCT NUMBER

51939-026 --  
NOTE: 3



RECOMMENDED PCB LAYOUT

mat'l code				SEE NOTE 2		tolerances unless otherwise specified		CUSTOMER		 www.fciconnect.com	
lfr	ecn no.	dr	date	linear	.XX±.01/0.X±0.3		COPY		 title 6P + 28S + 4P + 2ACP RIGHT ANGLE SOLDER HEADER		
F					angles	.XXX±.005/0.XX±0.13		 product family PwrBlade code 213		size dwg no A 51939-026 sheet 3 of 4	
				dr		C. DAILY	08/30/02	scale 1:1			
				enrg	M. MOSTOLLER	08/30/02					
				chr	M. MOSTOLLER	08/30/02					
				appd	M. MOSTOLLER	08/30/02					
sheet index	revision sheet										

cage code 22526

Pro/E

PDM: Rev:F

STATUS: Released

Printed: Oct 08, 2006

Tous droits strictement réservés. Reproduction ou communication o des liers interdite sous quelque forme que ce soit sans autorisation écrite du propriétaire. Propriete de c FCI. Droits de reproduction FCI.

All rights strictly reserved. Reproduction or issue to third parties in any form, whenever is not permitted without written authority from the proprietor. Property of FCI. Copyright FCI.



A

FCI

B

PRODUCT NUMBER  
51939-026--  
NOTE: 3

NOTES:

1. DIMENSIONS AND TOLERANCES ARE IN ACCORDANCE WITH ASME Y14.5M, 1994 UNLESS OTHERWISE SPECIFIED.

CONNECTOR NOTES:

- 2. HOUSING MATERIAL: UL 94 V-0 GLASS FILLED  
HIGH-TEMP THERMOPLASTIC  
POWER CONTACT MATERIAL: COPPER ALLOY  
SIGNAL PIN MATERIAL: COPPER ALLOY
- 3. 51939-026;51939-026LF;51939-026GLF PLATING SPEC. SEE PRINT:10064183
- 4. MANUFACTURER'S NAME, P/N, AND DATE CODE TO APPEAR ON THIS SURFACE.
- 5. PRODUCT SPECIFICATION GS-12-149.  
APPLICATION SPECIFICATION BUS-20-067.

PCB NOTES:

- 6. ALL HOLE DIAMETERS ARE FINISHED HOLE SIZE.
- 7. MOUNTING HOLES, WHERE APPLICABLE, ARE UNPLATED.
- 8.  $\varnothing .0453 \pm .0010$  [1.151  $\pm$  0.025] DRILLED HOLES PLATED WITH .0003 [0.008] MIN SnPb OVER .001 [0.03] TO .003 [0.08] Cu PLATING TO ACHIEVE  $\varnothing .040 \pm .003$  [1.02  $\pm$  .07] HOLE.
- 9. "DIM XXX" TO BE DETERMINED BY THE CUSTOMER.
- 10. CONNECTOR KEEP-OUT ZONE.

mat'l code		SEE NOTE 2		tolerances unless otherwise specified		CUSTOMER		www.fciconnect.com	
ltr	ecn no.	dr	date	linear		COPY			
F					.XX±.01/0.X±0.3	projection		title 6P + 28S + 4P + 2ACP	
				angles	.XXX±.005/0.XX±0.13			RIGHT ANGLE SOLDER HEADER	
					.XXX±.0020/0.XXX±0.051			product family	
				dr	0° ± 2°	INCH/MM		code	
				enrg	C. DAILY 08/30/02			size	
				chr	M. MOSTOLLER 08/30/02			product family	
				appd	M. MOSTOLLER 08/30/02	scale		size	
						1:1		A 51939-026	
sheet index	revision sheet							sheet	
								4 of 4	

A

B

1 | 2

3 |

4

1 | 2

Pro/E

3 |

cage code 22526

4